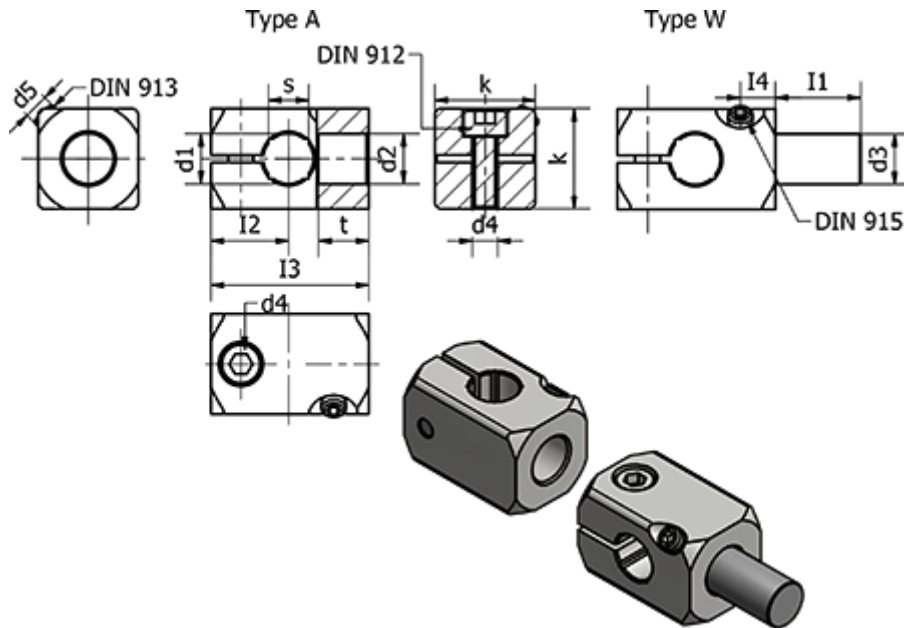


Article number: 20476B88WELS

Description: E+G T-clamp mounting - GN 476-B8-8-W-ELS

## Measures



Clamping kit for d4 = GN 511-M4-16	l3	= 26	
d1	= 8	l4	= 5.5
d2	=	k	= 16
d3	= 8	s	=
d4	= M4	t	= 8
d5	= M4	Weight (g)	= 20
l1	= 16		
l2	= 13		